

CODE	ND	S	L1	H
27NC457363MM	2" => 63 mm	0.34	2.72	6.89
27NC457375MM	2" 1/2 = 75mm	0.41	2.87	7.48
27NC457390MM	3" => 90 mm	0.48	3.54	9.25
27NC4573110MM	4" => 110 mm	0.59	3.43	9.53
27NC4573125MM	5" => 125 mm	0.67	3.74	10.41
27NC45734160MM	6" => 160 mm	0.86	4.06	12.24

NIRON



ITEM:
NC4573_MM

C:\Vault_Temp\Disegni\Corinna\Tabelle\Niron\POLLICI USA\Nc4573_MM
pollici SDR 7,3\NI10204.dwg

DESC: 45° ELBOW - LONG SPIGOT SDR 7.3

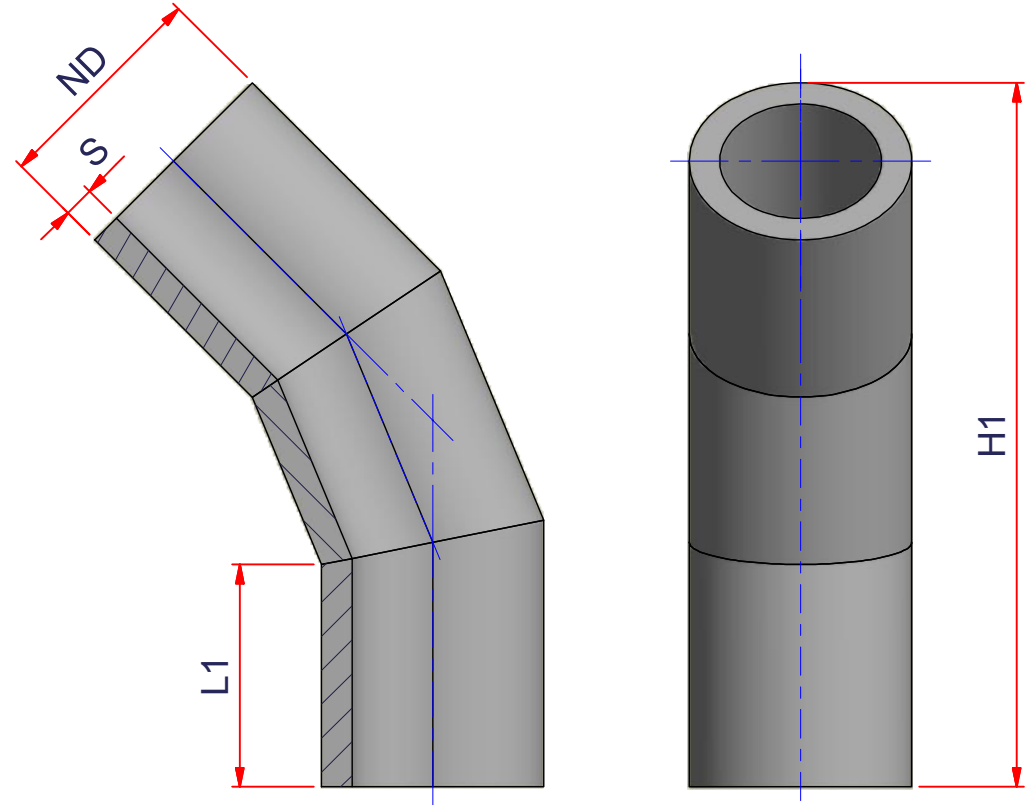


DRAWING No:
NI10204

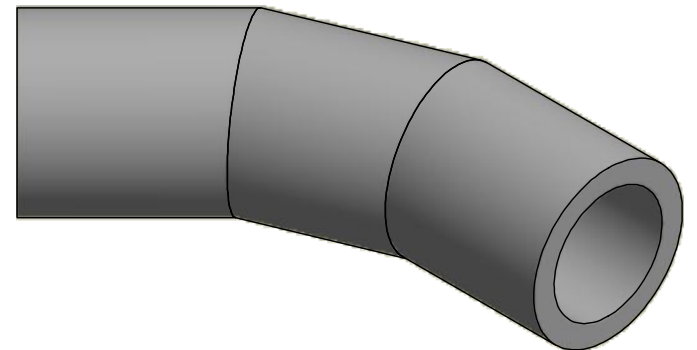
SHEET OF	REV.
1 2	-2

www.nupiamericas.com - info@nupiamericas.com

All dimensions have to be considered in inches with 5% tolerance if not otherwise mentioned excluding values as per standard ASTM F2389



CODE	ND	S	L1	H
27NC4573200MM	8" => 200 mm	1.08	5.91	20.00
27NC4573250MM	10" => 250 mm	1.35	9.84	30.47
27NC4573315MM	12" => 315 mm	1.70	11.81	37.00
27NC4573355MM	14" => 355 mm	1.91	11.81	37.00



NIRON



ITEM:
NC4573_MM

C:\Vault_Temp\Disegni\Corinna\Tabelle\Niron\POLLICI USA\Nc4573_MM
pollici SDR 7,3\NI10204.dwg

DESC: 45° ELBOW - LONG SPIGOT SDR 7.3



DRAWING No:
NI10204

SHEET OF	REV.
2 2	-2

www.nupiamericas.com - info@nupiamericas.com

All dimensions have to be considered in inches with 5% tolerance if not otherwise mentioned excluding values as per standard ASTM F2389