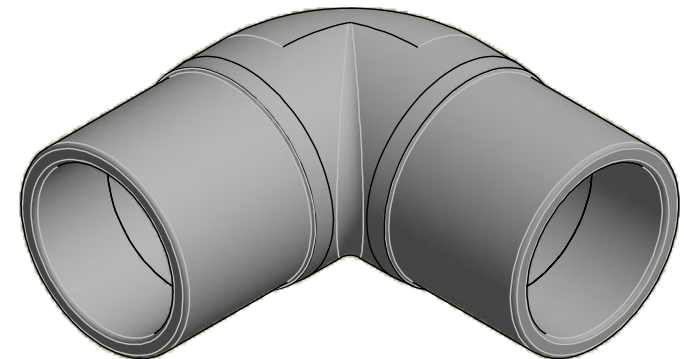


CODE	ND	S	L1	L	H
27NG907363MM	2" => 63 mm	0.34	2.76	4.72	6.06
27NG907375MM	2" 1/2 => 75 mm	0.41	2.76	4.72	6.38
27NG907390MM	3" => 90 mm	0.48	3.50	5.75	7.76
27NG9073110MM	4" => 110 mm	0.59	3.43	6.10	8.37
27NG9073125MM	5" => 125 mm	0.67	3.74	7.28	9.86
27NG9073160MM	6" => 160 mm	0.86	3.98	8.27	11.56



**NIRON**



ITEM:  
**NG9073\_MM**

C:\Vault\_Temp\Disegni\Corinna\Tabelle\Niron\POLLICI USA\Ng9073\_MM  
pollici - SDR 7,3\NI10203.dwg

DESC: 90° ELBOW - LONG SPIGOT SDR 7.3

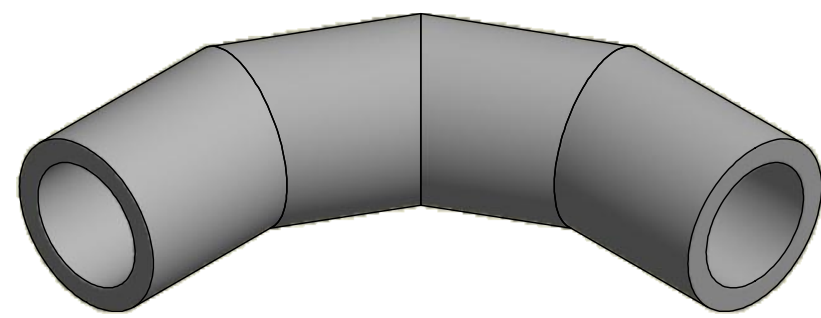
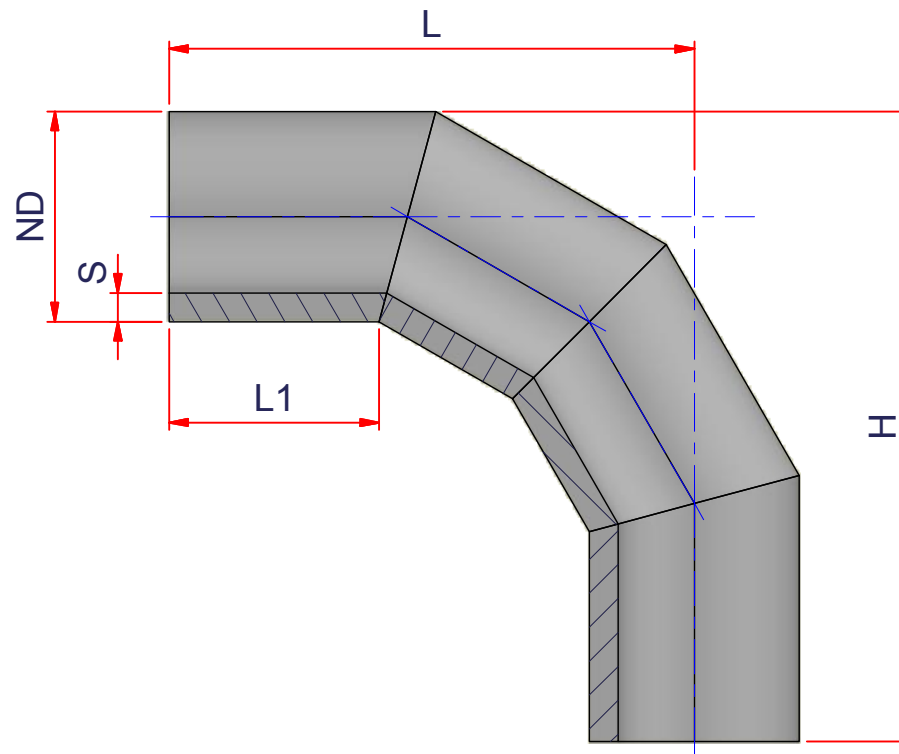


DRAWING No:  
**NI10203**

SHEET OF	REV.
1 2	-2

www.nupiamericas.com - info@nupiamericas.com

All dimensions have to be considered in inches with 5% tolerance if not otherwise mentioned excluding values as per standard ASTM F2389



CODE	ND	S	L1	L	H
27NG9073200MM	8" => 200 mm	1.08	5.91	17.72	21.65
27NG9073250MM	10" => 250 mm	1.35	9.84	24.61	29.53
27NG9073315MM	12" => 315 mm	1.70	11.81	30.43	36.63
27NG9073355MM	14" => 355 mm	1.91	11.81	32.80	39.78



ITEM:  
NG9073\_MM

C:\Vault\_Temp\Disegni\Corinna\Tabelle\Niron\POLLICI USA\Ng9073\_MM  
pollici - SDR 7,3\NI10203.dwg

DESC: 90° ELBOW - LONG SPIGOT SDR 7.3



DRAWING No:  
NI10203

SHEET OF	REV.
2 2	-2

www.nupiamericas.com - info@nupiamericas.com

All dimensions have to be considered in inches with 5% tolerance if not otherwise mentioned excluding values as per standard ASTM F2389