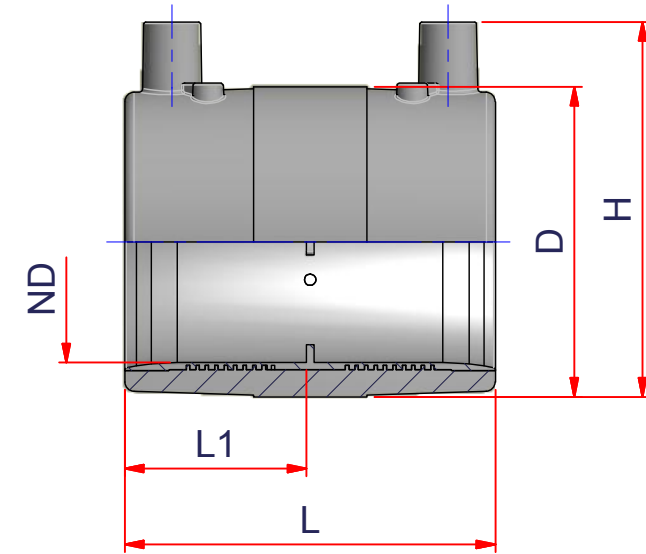


CODE	ND	L1	L	H	D
27NME20	1/2" => 20 mm	1.34	2.76	2.05	1.30
27NME25	3/4" => 25 mm	1.34	2.76	2.28	1.52
27NME32	1" => 32 mm	1.34	2.76	2.56	1.79
27NME40	1" 1/4 => 40 mm	1.61	3.35	2.95	2.17
27NME50	1" 1/2 => 50 mm	1.67	3.47	3.43	2.68
27NME63	2" => 63 mm	1.67	3.86	3.94	3.23
27NME75	2" 1/2 => 75 mm	2.40	4.92	4.49	3.86
27NME90	3" => 90 mm	2.84	5.75	5.12	4.45
27NME110	4" => 110 mm	3.03	6.10	5.67	5.35
27NME125	5" => 125 mm	3.23	6.54	6.58	6.16
27NME160	6" => 160 mm	3.41	6.89	7.93	7.48
27NME200	8" => 200 mm	3.60	7.28	9.57	9.13
27NME250	10" => 250 mm	4.17	8.35	11.81	11.65



NIRON



ITEM: **NME**

DESC: ELECTROFUSION COUPLING
SDR 11

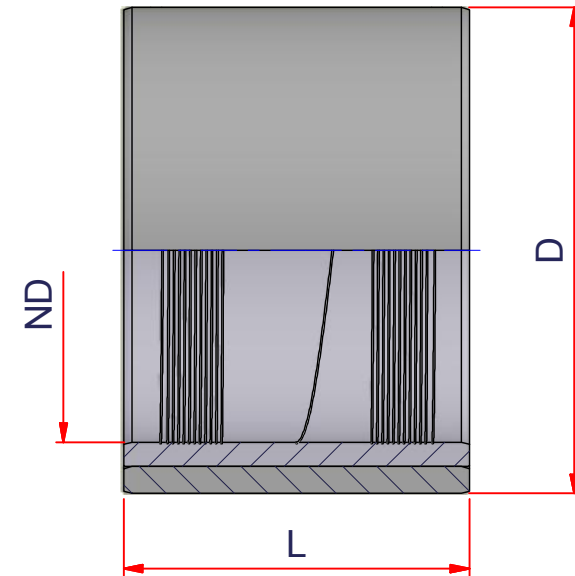


DRAWING No:
NI10164

SHEET OF	REV.
1 3	-1

www.nupiamericas.com - info@nupiamericas.com

All dimensions have to be considered in inches with 5% tolerance if not otherwise mentioned excluding values as per standard ASTM F2389



CODE	Dn	L1	L	H	D
27NME315	12" => 315 mm	-	11.81	-	15.59
27NME355	14" => 355 mm	-	12.60	-	17.72
27NME400	16" => 400 mm	-	12.60	-	19.69

NIRON



ITEM: **NME**

C:\Vault_Temp\Disegni\Corinna\Tabelle\Niron\POLLICI USA\Nme pollici\NI10164.dwg

DESC: ELECTROFUSION COUPLING
SDR 11

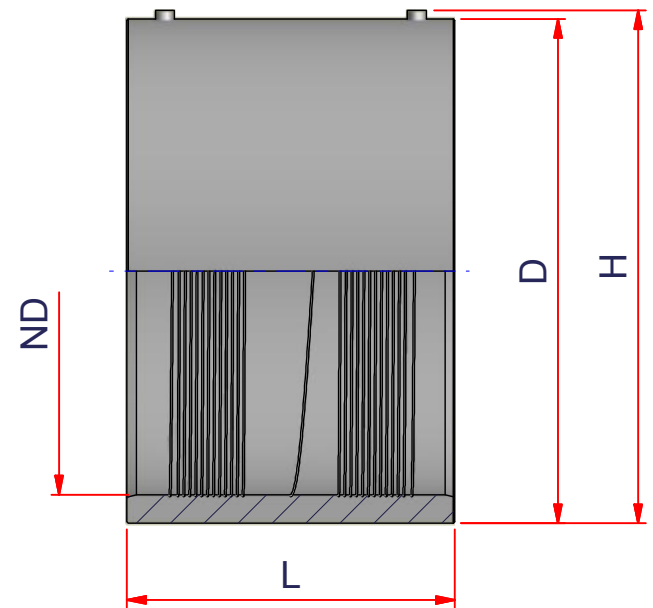


DRAWING No:
NI10164

SHEET OF	REV.
2 3	-1

www.nupiamericas.com - info@nupiamericas.com

All dimensions have to be considered in inches with 5% tolerance if not otherwise mentioned excluding values as per standard ASTM F2389



CODE	ND	L1	L	H	D
27NME450	18" => 450 mm	-	13.39	19.88	19.69

NIRON



ITEM: **NME**

DESC: ELECTROFUSION COUPLING
SDR 11



DRAWING No:
NI10164

SHEET OF	REV.
3 3	-1

www.nupiamericas.com - info@nupiamericas.com

All dimensions have to be considered in inches with 5% tolerance if not otherwise mentioned excluding values as per standard ASTM F2389