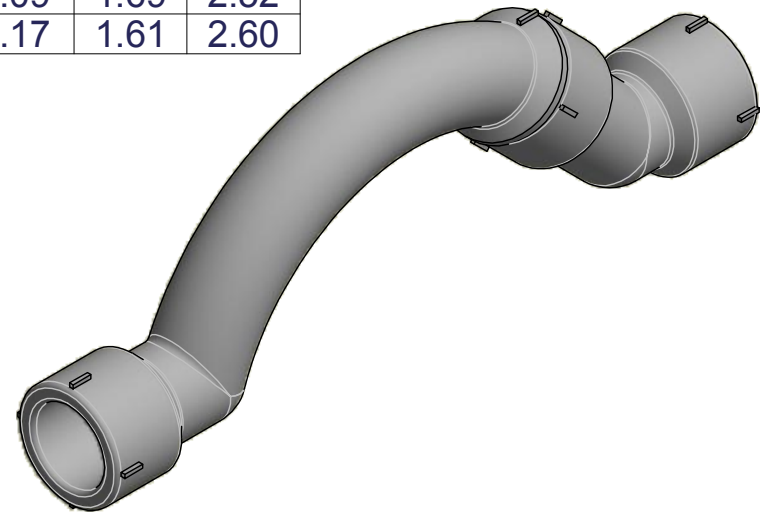


CODE	ND1	ND2	R	L1	L2	L	H1	H
27NSOFF20	1/2 => 20 mm	1/2 => 20 mm	1.87	0.63	0.63	7.09	1.69	2.52
27NSOFF25	3/4 => 25 mm	3/4 => 25 mm	1.79	0.67	0.67	7.17	1.61	2.60



NIRON



ITEM: **NSOFF**

DESC: COMPACT CROSS OVER F/F - SOCKET FUSION



DRAWING No:
NI10123

SHEET OF
1 1 0

www.nupiamericas.com - info@nupiamericas.com

All dimensions have to be considered in inches with 5% tolerance if not otherwise mentioned excluding values as per standard ASTM F2389